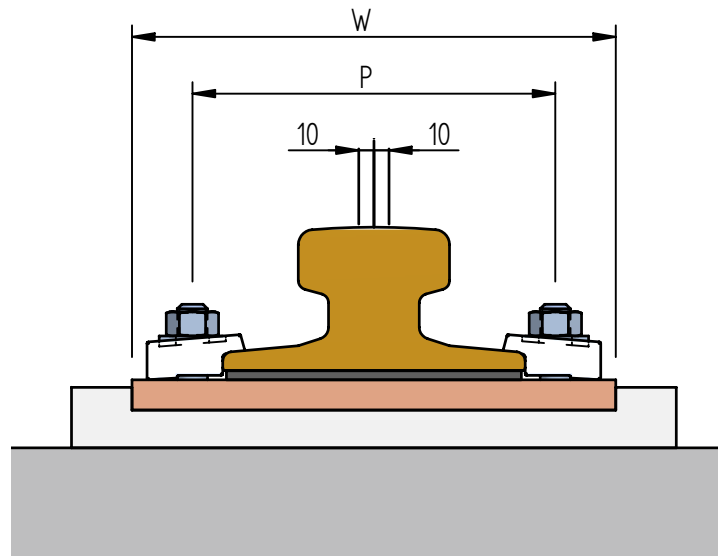




Adjustable rail clip

AM20



Distance between studbolt M20	P	Rail base + 40	[mm]
Minimum assembly width clips	W	Rail base + 120	[mm]
Nominal width sole plate with anchorbolts	W	Rail base + 120	[mm]

