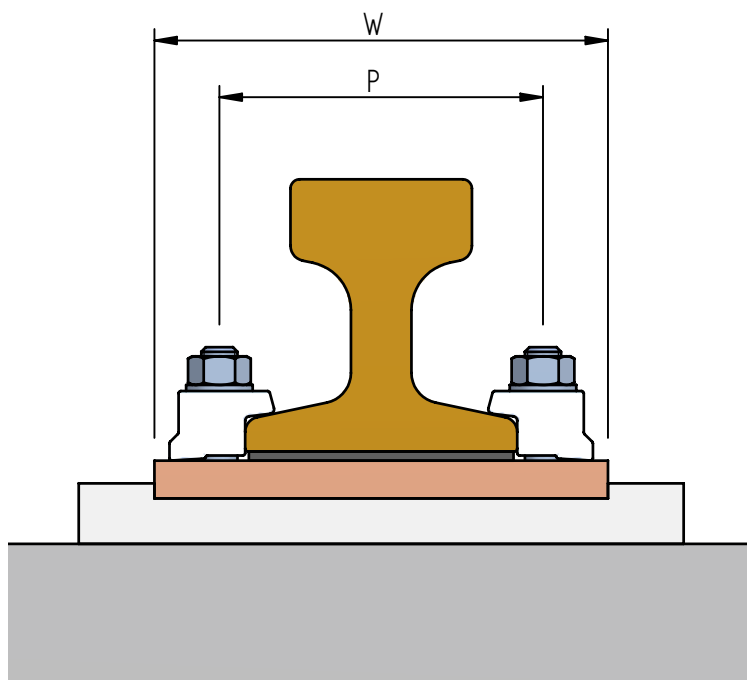




Standard rail clip

FM24



Distance between studbolt M24	P	Rail base + 34	[mm]
Minimum assembly width clips	W	Rail base + 100	[mm]
Nominal width sole plate with anchorbolts	W	Rail base + 120	[mm]

